



5085 Corporate Exchange Blvd. S.E.
Grand Rapids, MI 49512 • 616.656.2900

SS2712 - DUAL SINK
SS2713 - TRIPLE SINK

CLEAN UP STATIONS



INTRODUCTION

SKYTRON Clean Up Stations are used for the pre-cleaning, inspection and sorting during the decontamination process of surgical instruments.

TECHNICAL DATA

SKYTRON Clean Up Stations are available in two models, a two bay sink and a triple bay sink. SKYTRON Clean Up Stations have sound deadening material added to the underside of the countertop, sink bottom and backs. Sink basins are 18" x 24" x 12"D (457 x 610 x 304mm), backsplash is 8" high with 45° edge. To each side of the basins there are pitched drain board to alleviate the pooling of water as well as a rolled edge on the sides and front to retain any water within the clean up station perimeter.

STANDARD ACCESSORIES

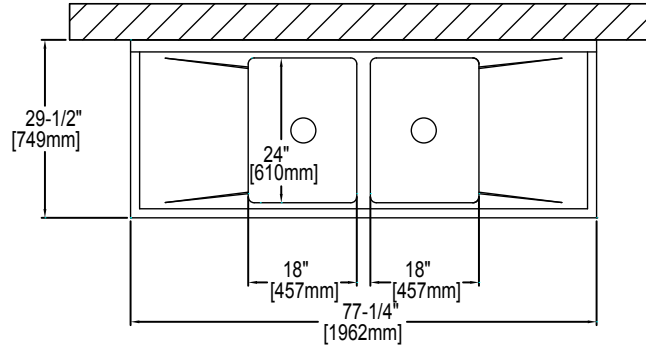
Each SKYTRON Clean Up Station shall include:

- Crumb cup strainers and tail pieces for each bay to connect to the facility drain.
- Hot and cold water fixture that mounts to the backsplash, one for double sink, two for triple sink.
- Pure water fixture for connection of mineral free water or similar that mounts to the backsplash, one provided per Clean Up Station.
- Wall mounting brackets that attach to backsplash and wall for ease of installation.
- Leveling feet to provide adjustment up to 1½" (38mm).

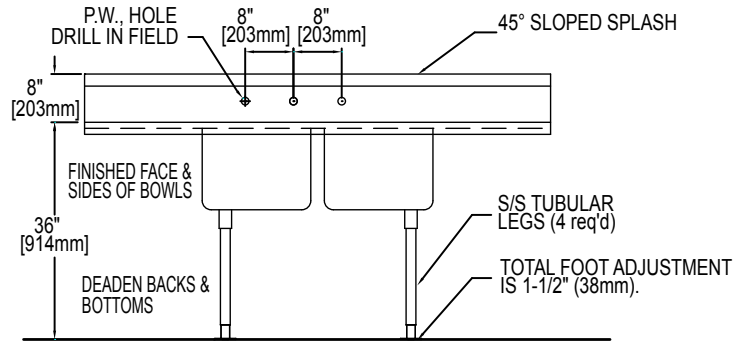
ARCHITECTURAL SPECIFICATION

Material:	Type 304 Stainless Steel, 16 gauge
Welds:	HeliArc welded and polished
Hardware:	Water Fixtures by WaterSaver
Undercoating:	Applied to all unexposed areas, reduces noise and condensation build up
Finish:	#4 satin finish

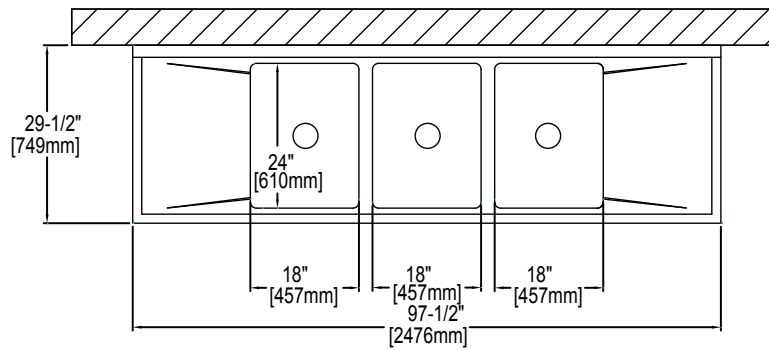
**CLEAN UP STATION
2 SINK**



S/S SINKTOP & BACKSPLASH



**CLEAN UP STATION
3 SINK**



S/S SINKTOP & BACKSPLASH

