



5085 Corporate Exchange Blvd. S.E.  
Grand Rapids, MI 49512 • 616.656.2900

**SS2712E - DUAL SINK**  
**SS2713E - TRIPLE SINK**

## CLEAN UP STATIONS ERGONOMIC SERIES



### INTRODUCTION

**SKYTRON Clean Up Stations** are used for the pre-cleaning, inspection and sorting during the decontamination process of surgical instruments. Sink basins are turned 90° placing the long edge to the user eliminating the need to overstretch during placement and withdraw of heavy instrument trays in the deep basins.

### TECHNICAL DATA

**SKYTRON Clean Up Stations** are available in two models, a two bay sink and a triple bay sink. SKYTRON Clean Up Stations have sound deadening material added to the underside of the countertop, sink bottom and backs. Sink basins are 18" x 24" x 12"D (457 x 610 x 304mm), backsplash is 8" high with 45° edge. To each side of the basins there are pitched drain board to alleviate the pooling of water as well as a rolled edge on the sides and front to retain any water within the clean up station perimeter.

### STANDARD ACCESSORIES

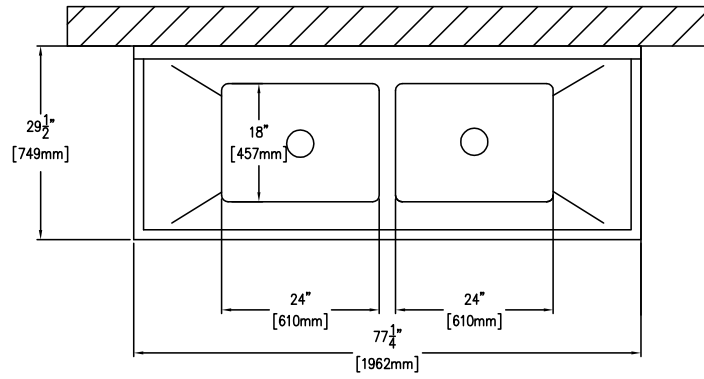
Each SKYTRON Clean Up Station shall include:

- Crumb cup strainers and tail pieces for each bay to connect to the facility drain.
- Hot and cold water fixture that mounts to the backsplash, one for double sink, two for triple sink.
- Pure water fixture for connection of mineral free water or similar that mounts to the backsplash, one provided per Clean Up Station.
- Wall mounting brackets that attach to backsplash and wall for ease of installation.
- Leveling feet to provide adjustment up to 1½" (38mm).

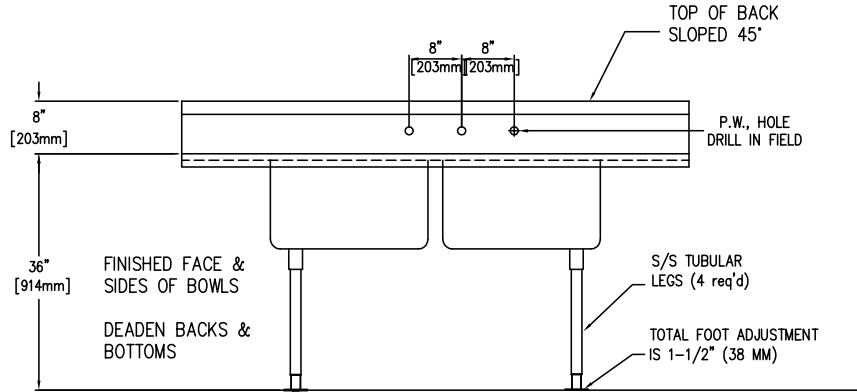
### ARCHITECTURAL SPECIFICATION

<b>Material:</b>	Type 304 Stainless Steel, 16 gauge
<b>Welds:</b>	HeliArc welded and polished
<b>Hardware:</b>	Water Fixtures by WaterSaver
<b>Undercoating:</b>	Applied to all unexposed areas, reduces noise and condensation build up
<b>Finish:</b>	#4 satin finish

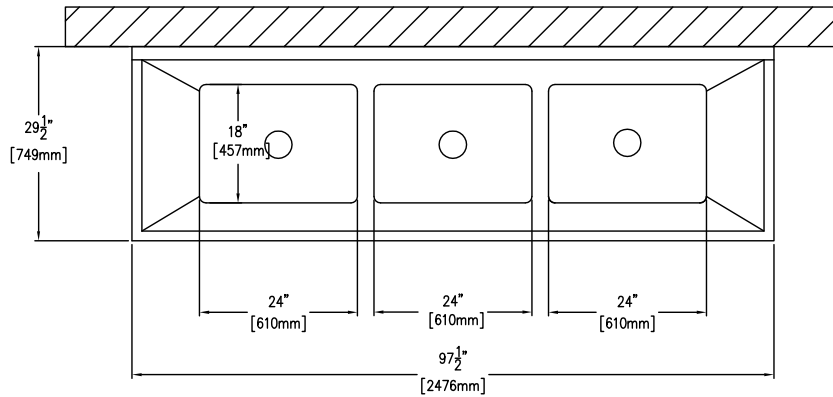
**CLEAN UP STATION  
2 SINK**



S/S SINKTOP & BACKSPLASH



**CLEAN UP STATION  
3 SINK**



S/S SINKTOP & BACKSPLASH

