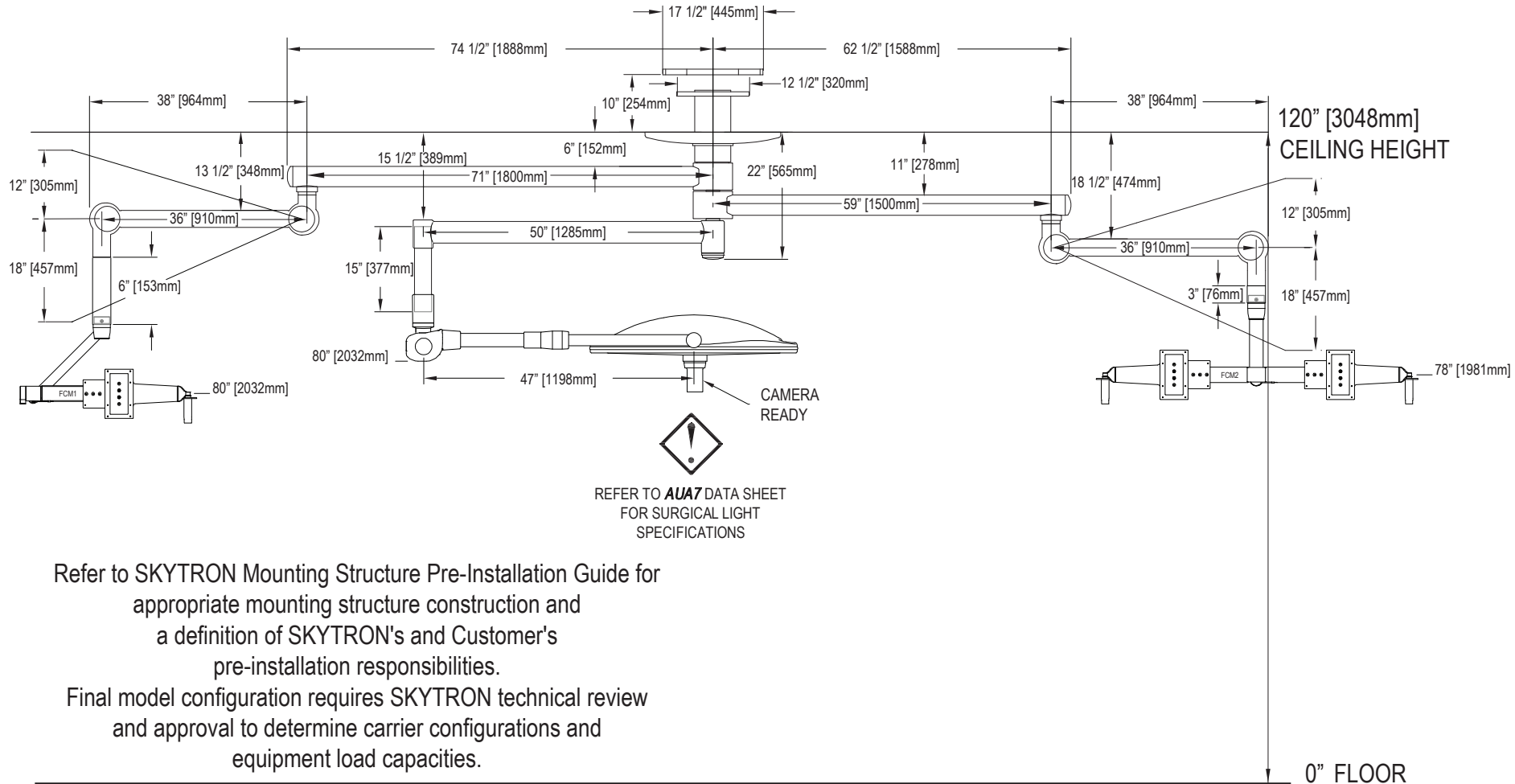


Refer to SKYTRON Mounting Structure Pre-Installation Guide for appropriate mounting structure construction and a definition of SKYTRON's and Customer's pre-installation responsibilities. Final model configuration requires SKYTRON technical review and approval to determine carrier configurations and equipment load capacities.

FIXTURE WEIGHT: 408 LBS. MOMENT LOAD: 2106 FT. LBS.

Dimensions are based lower arm display bracket / SkyLink

Ceiling height requirements		
	Maximum	Minimum
Monitor Spring Arm	120" [3048mm] = 80" [2032mm] center of monitor	112" [2845mm] = 78" [1981mm] center of monitor
Skylink Spring Arm	120" [3048mm] = 79" [2007mm] bottom of SkyLink	112" [2845mm] = 79" [2007mm] bottom of SkyLink

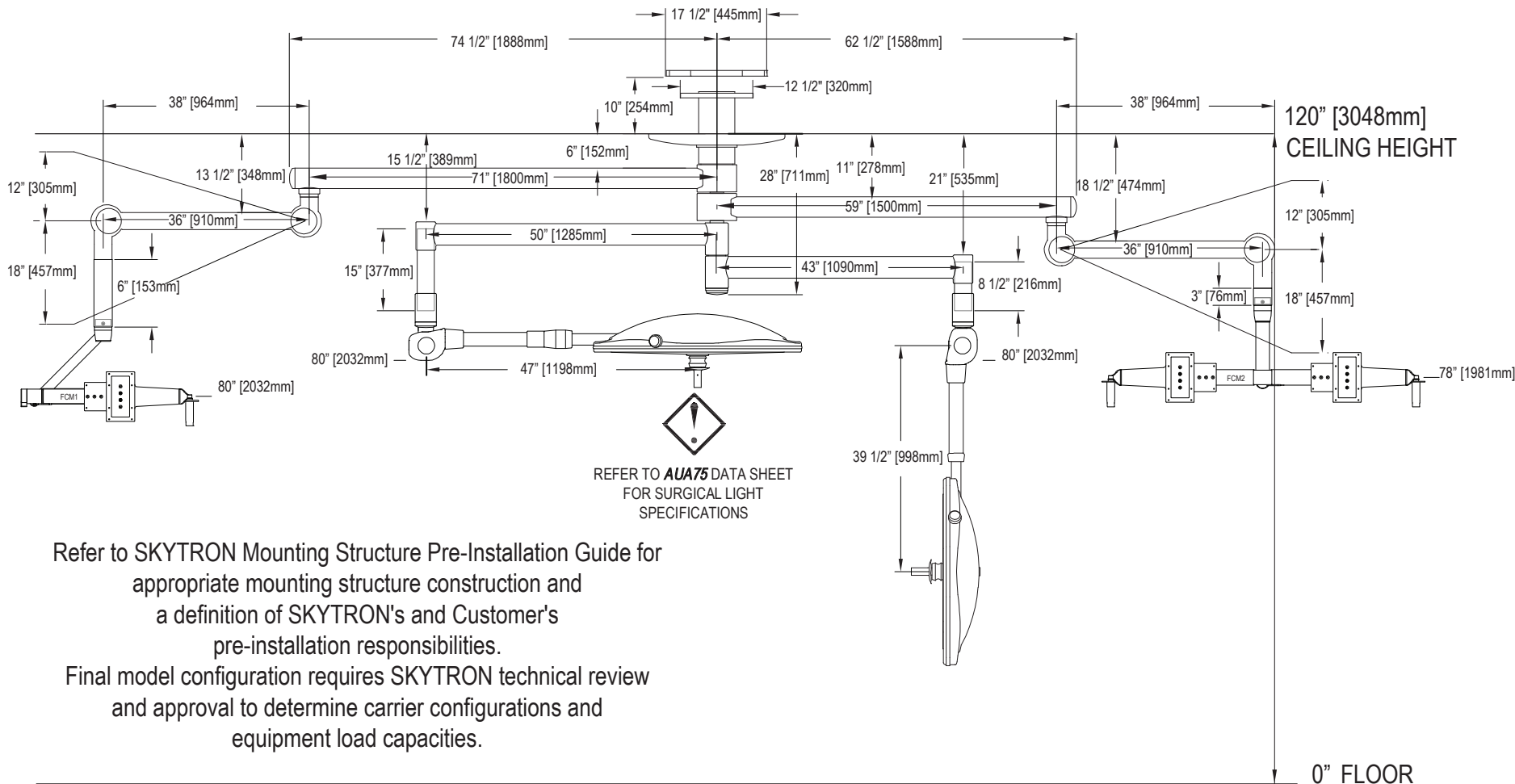


Refer to SKYTRON Mounting Structure Pre-Installation Guide for appropriate mounting structure construction and a definition of SKYTRON's and Customer's pre-installation responsibilities. Final model configuration requires SKYTRON technical review and approval to determine carrier configurations and equipment load capacities.

FIXTURE WEIGHT: 551 LBS. MOMENT LOAD: 2829 FT. LBS.

Dimensions are based lower arm display bracket / SkyLink

Ceiling height requirements		
	Maximum	Minimum
Monitor Spring Arm	120" [3048mm] = 78" [1981mm] center of monitor 80" [2032mm] BOM	112" [2845mm] = 70" [1778mm] center of monitor 80" [2032mm] BOM
Skylink Spring Arm	120" [3048mm] = 80" [2032mm] bottom of SkyLink 80" [2032mm] BOM	112" [2845mm] = 75" [1905mm] bottom of SkyLink 80" [2032mm] BOM

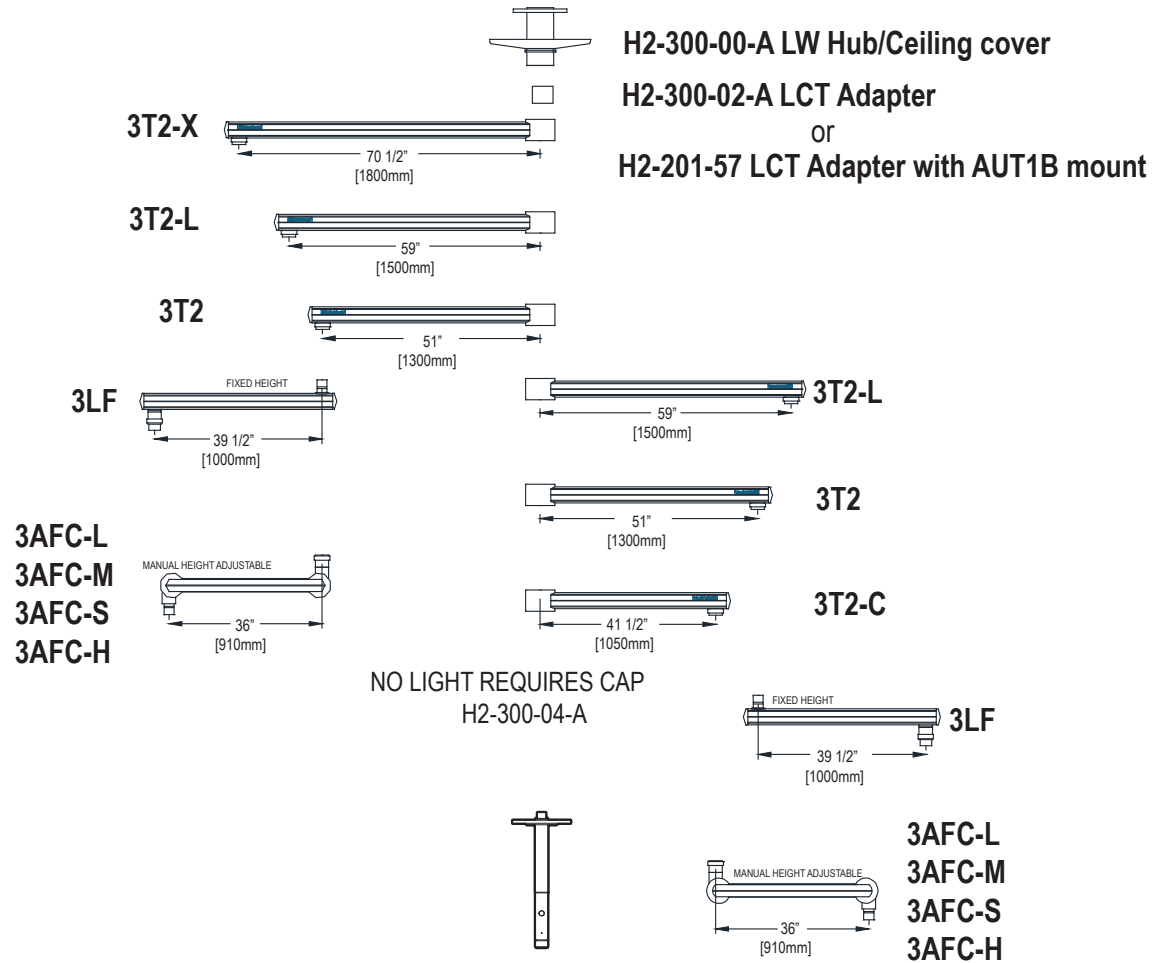


Refer to SKYTRON Mounting Structure Pre-Installation Guide for appropriate mounting structure construction and a definition of SKYTRON's and Customer's pre-installation responsibilities. Final model configuration requires SKYTRON technical review and approval to determine carrier configurations and equipment load capacities.

FIXTURE WEIGHT: 662 LBS. MOMENT LOAD: 3213 FT. LBS.

Dimensions are based lower arm display bracket / SkyLink

Ceiling height requirements		
	Maximum	Minimum
Monitor Spring Arm	120" [3048mm] = 78" [1981mm] center of monitor 80" [2032mm] BOM	118" [2997mm] = 76" [1930mm] center of monitor 80" [2032mm] BOM
Skylink Spring Arm	120" [3048mm] = 80" [2032mm] bottom of SkyLink 80" [2032mm] BOM	118" [2997mm] = 81" [2057mm] bottom of SkyLink 80" [2032mm] BOM



MUST ADD SPINDLE TO SUPPORT LIGHTS

PART NO.	DESCRIPTION
H2-201-52	Light Spindle, 3LCT, NL25
H2-201-53	Light Spindle, 3LCT, NL2525
H2-201-50	Light Spindle, 3LCT, AUA Single [TV or NON-TV]
H2-201-51	Light Spindle, 3LCT, AUA Single [TV or NON-TV]